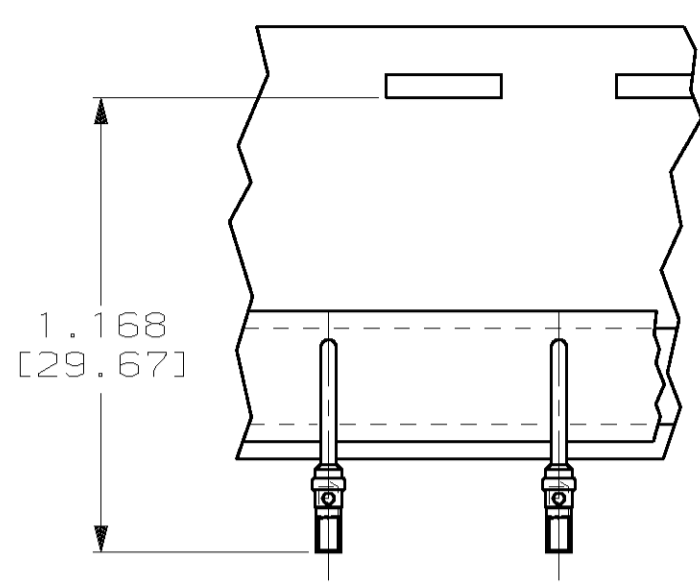
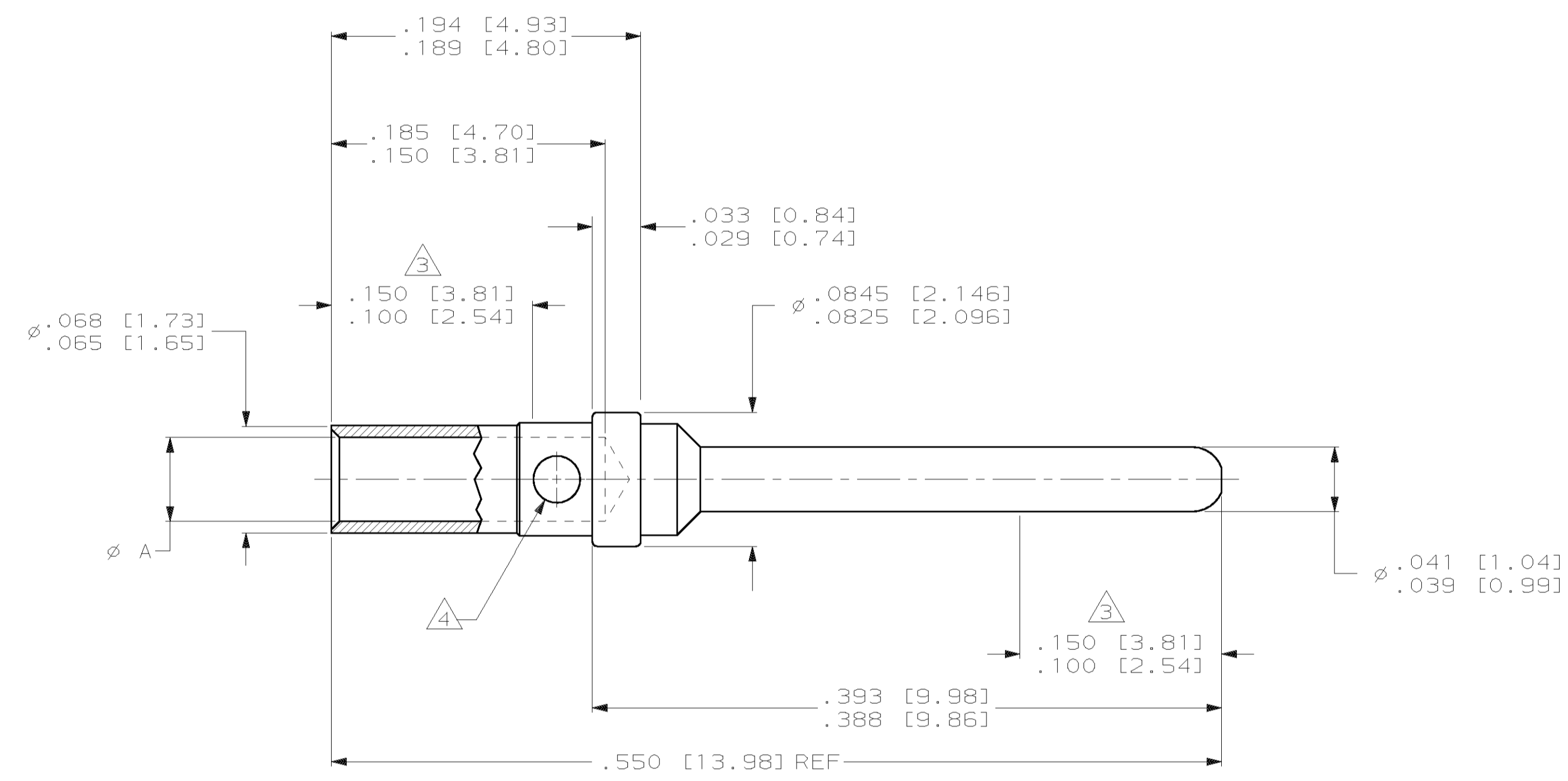


LOC	DIST	REVISIONS			
F	CHR	DESCRIPTION	DATE	OWN	APVD
A		ADD -2, -3 & -4 PER 0630-0076-00	6-00	CT	RG



1218266-2 & -4 ONLY
SCALE: NTS



- 1 MATERIAL: COPPER ALLOY
- 2 FINISH: GOLD PLATE .000030 [0.76μm] MIN THICK OVER NICKEL PLATE .000050 [1.27μm] MIN THICK.
- 3 POINT OF PLATING THICKNESS MEASUREMENT - SHALL BE MEASURED ON BOTH WIRE BARREL AND PIN END.
- 4 INSPECTION HOLE THRU ONE WALL ONLY RADIAL LOCATION OPTIONAL.

TAPE MOUNTED 20-24 AWG WIRE	.043-.046 [1.09-1.17]	2	1	1218266-4
LOOSE PIECE 20-24 AWG WIRE	.043-.046 [1.09-1.17]	2	1	1218266-3
TAPE MOUNTED 18 AWG WIRE	.051-.053 [1.30-1.35]	2	1	1218266-2
LOOSE PIECE 18 AWG WIRE	.051-.053 [1.30-1.35]	2	1	1218266-1
REMARKS	DIM A	FINISH	MATERIAL	PART NUMBER

THIS DRAWING IS A CONTROLLED DOCUMENT.

DIMENSIONS: INCHES (mm)	TOLERANCES UNLESS OTHERWISE SPECIFIED:	DWN P BRANDBERG 08 APR 98	AMP Incorporated Harrisburg, PA 17105-3608
0 PLC ±	1 PLC ±	CHK G. GRIFFITH 04 DEC 98	CONTACT, PIN, CRIMP TYPE, SIZE 20, 18 AWG
2 PLC ±	3 PLC ±	APVD G. GRIFFITH 04 DEC 98	
4 PLC ±	ANGLES 92°	PRODUCT SPEC	RESTRICTED TO
MATERIAL	FINISH	APPLICATION SPEC	SIZE CAGE CODE DRAWING NO
		WEIGHT	A1 00779 1218266
		CUSTOMER DRAWING	SCALE 15:1 SHEET 1 OF 1 REV A